

- ◆ CMOS Low Power Consumption
- ◆ Operating Voltage Range : up to 20V
- ◆ Dropout Voltage : 200mV @ 30mA, 670mV @ 100mA
- ◆ Maximum Output Current : more than 150mA
- ◆ Highly Accurate : $\pm 2\%$
- ◆ Output Voltage Range : 1.8V to 18.0V
- ◆ Current Limiter Circuit Built-In
- ◆ SOT-23 / SOT-89 Package
- ◆ Low ESR Capacitor can be used

- Applications
 - Battery Powered Equipment
 - Reference Voltage Sources
 - Cameras, Video Cameras
 - Palmtops

■ General Description

The XC6202 series are highly precise, low power consumption, high voltage, positive voltage regulators manufactured using CMOS and laser trimming technologies. The XC6202 consists of a current limiter circuit, a driver transistor, a precision reference voltage and an error correction circuit.

Output voltage is selectable in 0.1V steps from 1.8V ~ 18V.

The series is also compatible with low ESR ceramic capacitors which give added output stability.

Since the current limiter circuit is built-in, the IC is protected against overshoot currents at such times of output shorts etc.

SOT-23(150mW) and SOT-89(500mW) packages are available.

■ Features

Maximum Output Current : 150mA

Dropout Voltage : 200mV @ 30mA

Operating Voltage Range : up to 20V

Output Voltage Range : 1.8V to 18V (selectable in 0.1V steps)

Highly Accurate : $\pm 2\%$

Low Power Consumption : TYP 10 μ A ($V_{OUT}=3.3V$)

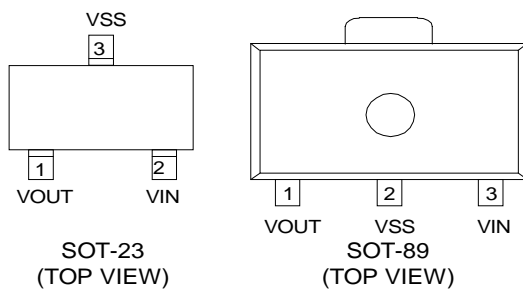
Operating Ambient Temp. : $-40^{\circ}C \sim 85^{\circ}C$

Line Regulation : TYP 0.01% / V

Ultra Small Packages : SOT-23 (150mW), SOT-89 (500mW)

Low ESR Capacitor Compatible : ceramic capacitor

■ Pin Configuration



■ Pin Assignment

PIN NAME		PIN NAME	FUNCTION
SOT-23	SOT-89		
1	1	VOUT	Output
3	2	VSS	Ground
2	3	VIN	Power Input

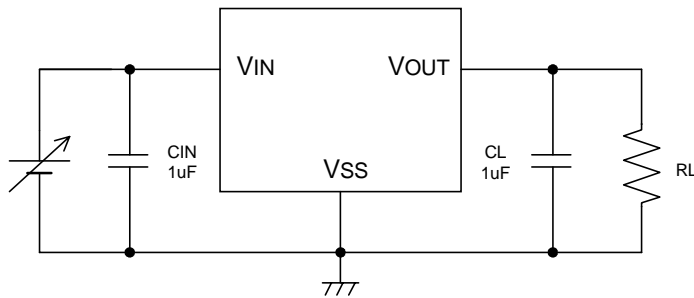
Preliminary

Ordering Information

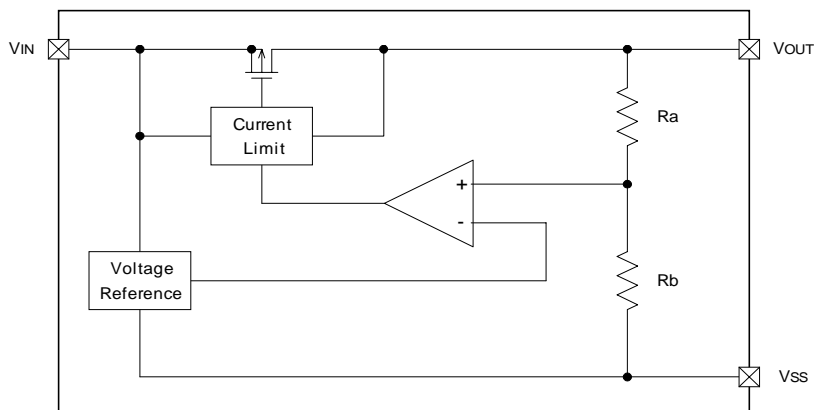
XC6202P①②③④⑤

DESIGNATOR	SYMBOL	DESCRIPTION
①②	18 ~ J0	Output Voltage For the voltage above 10V, see the example 10=A, 11=B, 12=C, 13=D, 14=E, 15=F, 16=G, 17=H, 18=J e.g. VOUT=3.0V→①:3, ②:0 VOUT=12V→①:C, ②:0 VOUT=15V→①:F, ②:0
③	2	Accuracy : ±2%
④	M	Package : SOT-23
	P	SOT-89
⑤	R	Embossed Tape : Standard Feed
	L	Embossed Tape : Reverse Feed

Typical Application



Block Diagram



■ Absolute Maximum Ratings

Ta = 25°C

PARAMETER	SYMBOL	RATINGS	UNITS
Input Voltage	VIN	22	V
Output Current	IOUT	500	mA
Output Voltage	VOUT	VSS ~ 0.3 to VIN + 0.3	V
Continuous Total	SOT-23	Pd	150
Power Dissipation	SOT-89	Pd	500
Operating Ambient Temperature	Topr	-40 to +85	°C
Storage Temperature	Tstg	-40 to +125	°C

■ Electrical Characteristics

XC6202P182 VOUT(T) = 1.8V (Note 1)

Ta=25°C

PARAMETER	SYMBOL	CONDITIONS	MIN	TYP	MAX	UNITS	CIRCUIT
Output Voltage	VOUT(E) (Note2)	VIN=2.8V	1.764	1.800	1.836	V	2
		IOUT=30mA					
Maximum Output Current	IOUT max	VIN=2.8V VOUT ≥ VOUT(E) × 0.9	60			mA	2
Load Regulation	Δ VOUT	VIN=2.8V 1mA ≤ IOUT ≤ 100mA		10	80	mV	2
Dropout Voltage (Note 3)	Vdif 1	IOUT=30mA		340	470	mV	2
	Vdif 2	IOUT=100mA		1000	1500		
Supply Current	ISS	VIN=2.8V		10.0	24.0	μA	1
Line Regulation	$\frac{\Delta VOUT}{\Delta VIN \cdot VOUT}$	IOUT=1mA 2.8V ≤ VIN ≤ 20.0V		0.01	0.2	% / V	2
Input Voltage	VIN				20	V	-
Output Voltage Temperature Characteristics	$\frac{\Delta VOUT}{\Delta Topr \cdot VOUT}$	IOUT=30mA -40°C ≤ Topr ≤ 85°C		±100		ppm / °C	2
Short-circuit Current	Ishort	VIN=3.8V		40		mA	2

Note : 1. VOUT(T) = Specified Output Voltage.

2. VOUT(E) = Effective Output Voltage (i.e. the output voltage when "VOUT(T)+1.0V" is provided at the VIN pin while maintaining a certain IOUT value).

3. Vdif = VIN1 - VOUT1

4. VOUT1 = A voltage equal to 98% of the output voltage when "VOUT(T)+1.0V" is input.e

5. VIN1 = The input voltage when VOUT1 is output following a gradual decrease in the input voltage.

XC6202P332 VOUT(T) = 3.3V (Note 1)

Ta=25°C

PARAMETER	SYMBOL	CONDITIONS	MIN	TYP	MAX	UNITS	CIRCUIT
Output Voltage	VOUT(E) (Note2)	VIN=4.3V	3.234	3.300	3.366	V	2
		IOUT=30mA					
Maximum Output Current	IOUT max	VIN=4.3V VOUT ≥ VOUT(E) × 0.9	150			mA	2
Load Regulation	Δ VOUT	VIN=4.3V 1mA ≤ IOUT ≤ 100mA		25	90	mV	2
Dropout Voltage (Note 3)	Vdif 1	IOUT=30mA		200	280	mV	2
	Vdif 2	IOUT=100mA		670	900		
Supply Current	ISS	VIN=4.3V		10.0	24.0	μA	1
Line Regulation	$\frac{\Delta V_{OUT}}{\Delta V_{IN} \cdot V_{OUT}}$	IOUT=1mA 4.3V ≤ VIN ≤ 20.0V		0.01	0.2	% / V	2
Input Voltage	VIN				20	V	-
Output Voltage Temperature Characteristics	$\frac{\Delta V_{OUT}}{\Delta T_{opr} \cdot V_{OUT}}$	IOUT=30mA -40°C ≤ Topr ≤ 85°C		±100		ppm / °C	2
Short-circuit Current	Ishort	VIN=5.3V		40		mA	2

XC6202P502 VOUT(T) =5.0V (Note 1)

Ta=25°C

PARAMETER	SYMBOL	CONDITIONS	MIN	TYP	MAX	UNITS	CIRCUIT
Output Voltage	VOUT(E) (Note2)	VIN=6V	4.900	5.000	5.100	V	2
		IOUT=30mA					
Maximum Output Current	IOUT max	VIN=6V VOUT ≥ VOUT(E) × 0.9	200			mA	2
Load Regulation	Δ VOUT	VIN=6V 1mA ≤ IOUT ≤ 100mA		30	100	mV	2
Dropout Voltage (Note 3)	Vdif 1	IOUT=30mA		130	190	mV	2
	Vdif 2	IOUT=100mA		440	550		
Supply Current	ISS	VIN=6V		10.0	24.0	μA	1
Line Regulation	$\frac{\Delta V_{OUT}}{\Delta V_{IN} \cdot V_{OUT}}$	IOUT=1mA 6V ≤ VIN ≤ 20.0V		0.01	0.2	% / V	2
Input Voltage	VIN				20	V	-
Output Voltage Temperature Characteristics	$\frac{\Delta V_{OUT}}{\Delta T_{opr} \cdot V_{OUT}}$	IOUT=30mA -40°C ≤ Topr ≤ 85°C		±100		ppm / °C	2
Short-circuit Current	Ishort	VIN=7V		40		mA	2

- Note :
1. VOUT(T) = Specified Output Voltage.
 2. VOUT(E) = Effective Output Voltage (i.e. the output voltage when "VOUT(T)+1.0V" is provided at the VIN pin while maintaining a certain IOUT value).
 3. Vdif = VIN1 - VOUT1
 4. VOUT1 = A voltage equal to 98% of the output voltage when "VOUT(T)+1.0V" is input.e
 5. VIN1 = The input voltage when VOUT1 is output following a gradual decrease in the input voltage.

XC6202 Series

(High Voltage) Positive Voltage Regulators

Preliminary

XC6202PC02 VOUT(T) = 12V (Note 1)

Ta=25°C

PARAMETER	SYMBOL	CONDITIONS	MIN	TYP	MAX	UNITS	CIRCUIT
Output Voltage	VOUT(E) (Note2)	VIN=13V	11.760	12.000	12.240	V	2
		IOUT=30mA					
Maximum Output Current	IOUT max	VIN=13V VOUT ≥ VOUT(E) × 0.9	200			mA	2
Load Regulation	Δ VOUT	VIN=13V 1mA ≤ IOUT ≤ 100mA		60	230	mV	2
Dropout Voltage (Note 3)	Vdif 1	IOUT=30mA		90	150	mV	2
	Vdif 2	IOUT=100mA		290	380		
Supply Current	ISS	VIN=13V		12.0	28.0	μA	1
Line Regulation	$\frac{\Delta V_{OUT}}{\Delta V_{IN} \cdot V_{OUT}}$	IOUT=1mA 13V ≤ VIN ≤ 20.0V		0.01	0.2	% / V	2
Input Voltage	VIN				20	V	-
Output Voltage Temperature Characteristics	$\frac{\Delta V_{OUT}}{\Delta T_{opr} \cdot V_{OUT}}$	IOUT=30mA -40°C ≤ Topr ≤ 85°C		±100		ppm / °C	2
Short-circuit Current	Ishort	VIN=14V		40		mA	2

XC6202PJ02 VOUT(T) = 18V (Note 1)

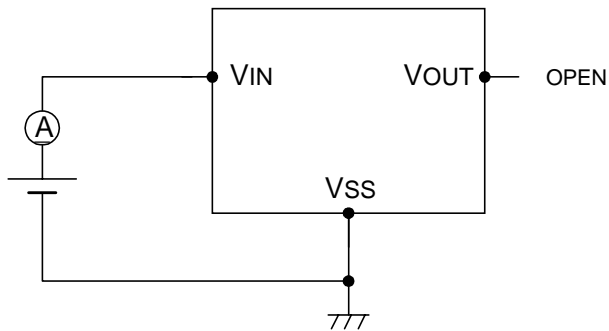
Ta=25°C

PARAMETER	SYMBOL	CONDITIONS	MIN	TYP	MAX	UNITS	CIRCUIT
Output Voltage	VOUT(E) (Note2)	VIN=19V	17.640	18.000	18.360	V	2
		IOUT=30mA					
Maximum Output Current	IOUT max	VIN=19V VOUT ≥ VOUT(E) × 0.9	200			mA	2
Load Regulation	Δ VOUT	VIN=19V 1mA ≤ IOUT ≤ 100mA		120	380	mV	2
Dropout Voltage (Note 3)	Vdif 1	IOUT=30mA		80	150	mV	2
	Vdif 2	IOUT=100mA		280	380		
Supply Current	ISS	VIN=19V		15.0	30.0	μA	1
Line Regulation	$\frac{\Delta V_{OUT}}{\Delta V_{IN} \cdot V_{OUT}}$	IOUT=1mA 19V ≤ VIN ≤ 20.0V		0.01	0.2	% / V	2
Input Voltage	VIN				20	V	-
Output Voltage Temperature Characteristics	$\frac{\Delta V_{OUT}}{\Delta T_{opr} \cdot V_{OUT}}$	IOUT=30mA -40°C ≤ Topr ≤ 85°C		±100		ppm / °C	2
Short-circuit Current	Ishort	VIN=20V		40		mA	2

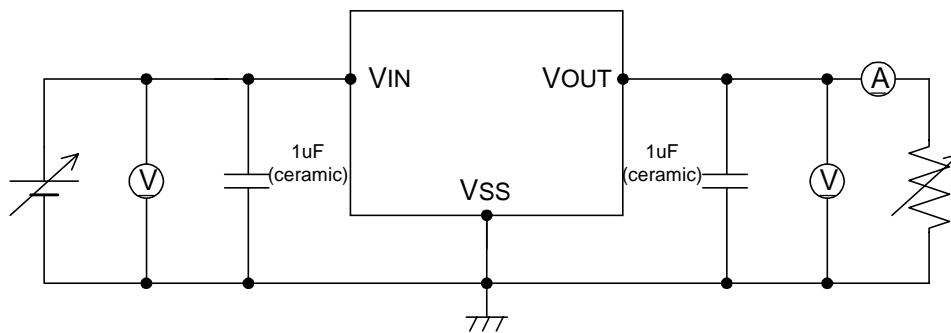
- Note :
1. VOUT(T) = Specified Output Voltage.
 2. VOUT(E) = Effective Output Voltage (i.e. the output voltage when "VOUT(T)+1.0V" is provided at the VIN pin while maintaining a certain IOUT value).
 3. Vdif = VIN1 - VOUT1
 4. VOUT1 = A voltage equal to 98% of the output voltage when "Vout(T)+1.0V" is input.e
 5. VIN1 = The input voltage when VOUT1 is output following a gradual decrease in the input voltage.

■ Test Circuits

CIRCUIT 1

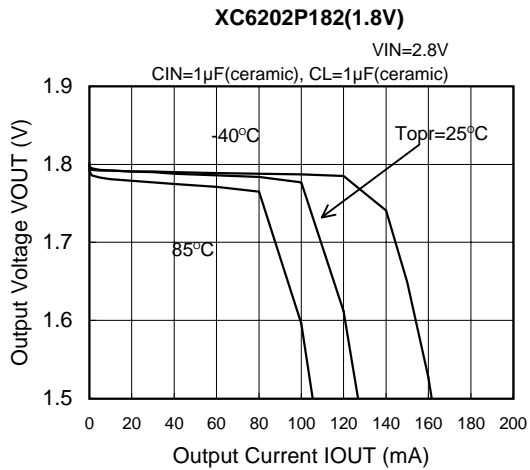


CIRCUIT 2

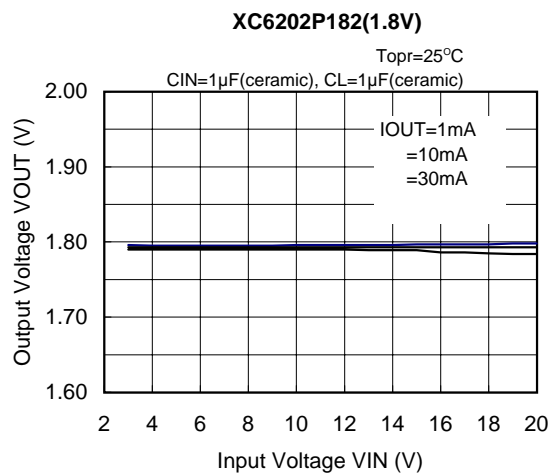
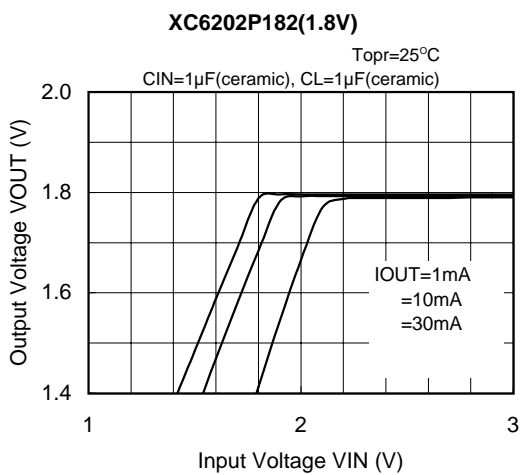


■ XC6202

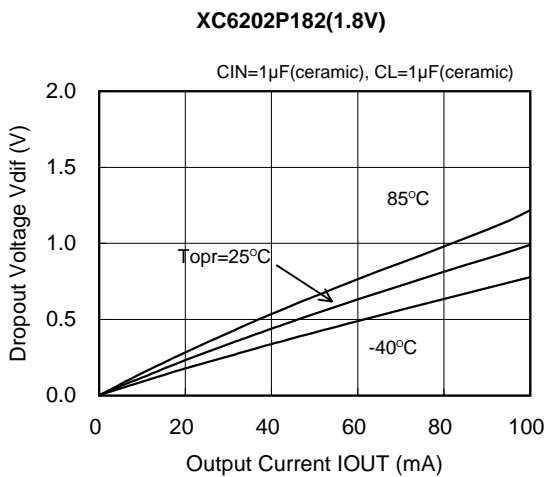
(1) Output Voltage vs. Output Current



(2) Output Voltage vs. Input Voltage

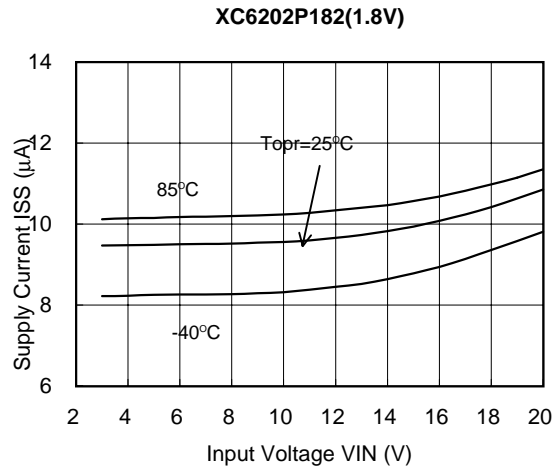
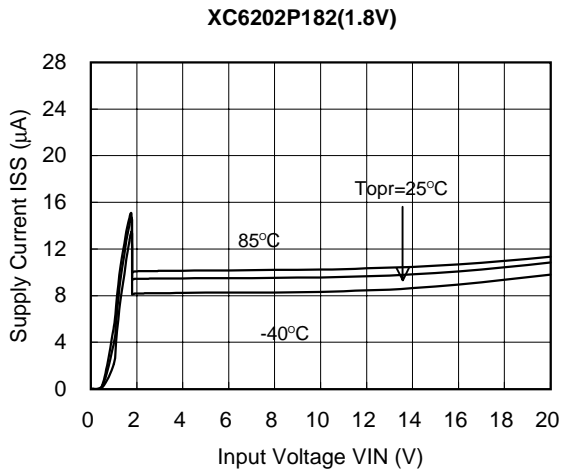


(3) Dropout Voltage vs. Output Current

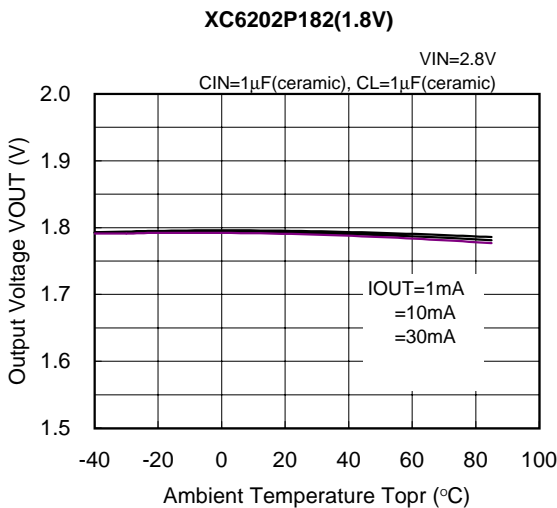


■ XC6202

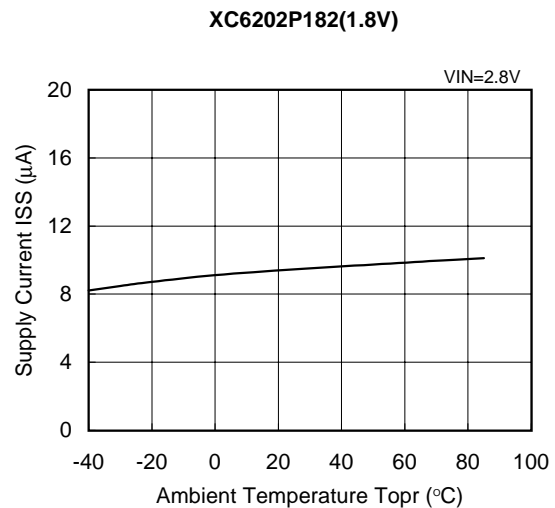
(4) Supply Current vs. Input Voltage



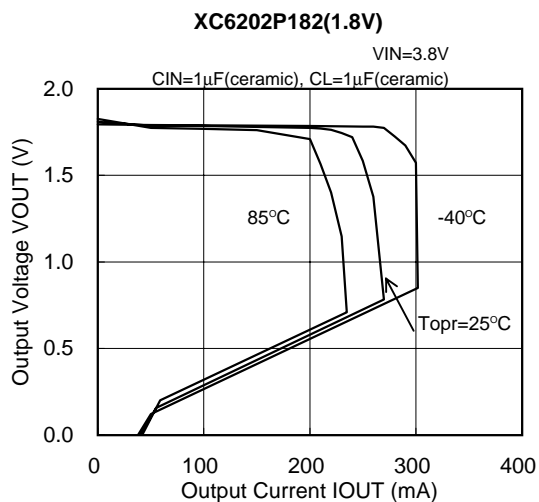
(5) Output Voltage vs. Ambient Temperature



(6) Supply Current vs. Ambient Temperature

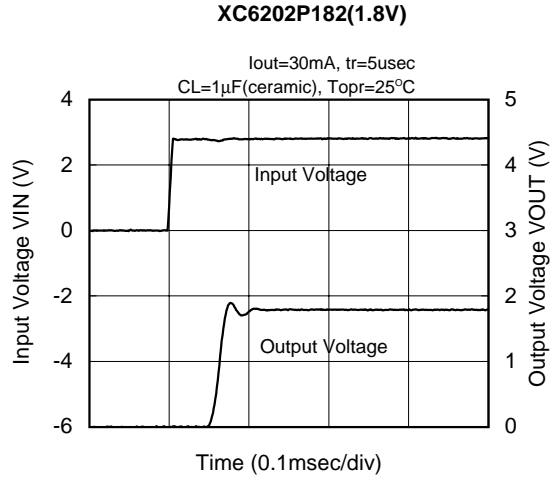
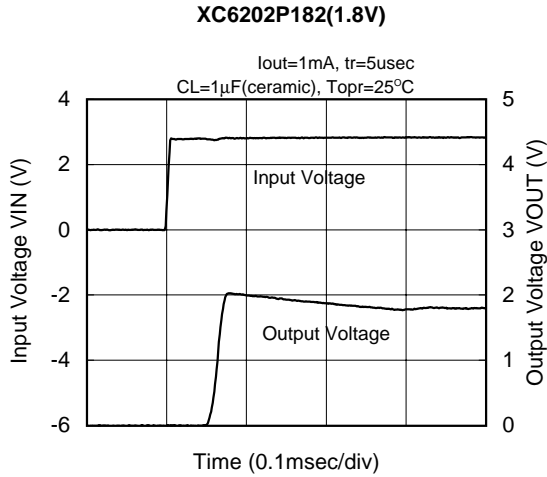


(7) Current Limiter Circuit

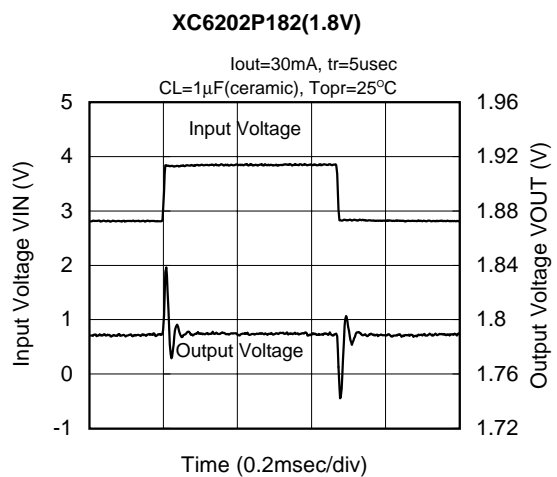
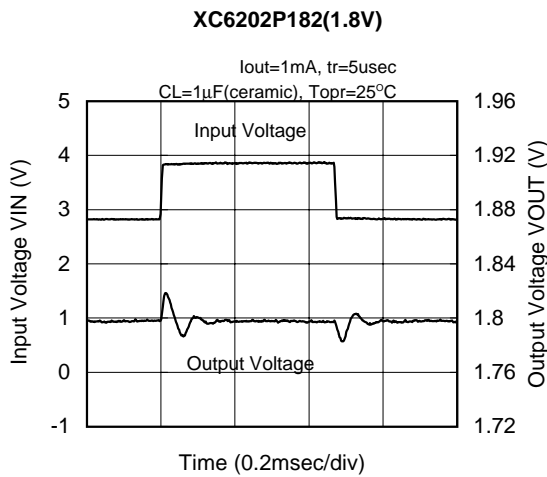


■ XC6202

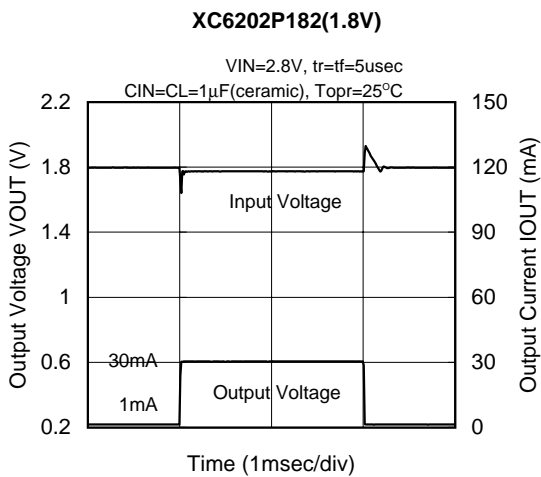
(8) Input Transient Response 1



(9) Input Transient Response 2



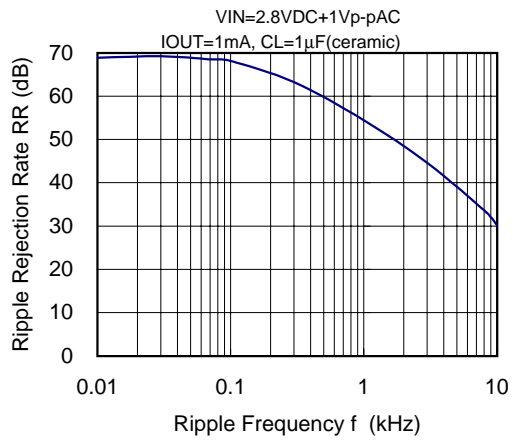
(10) Load Transient Response



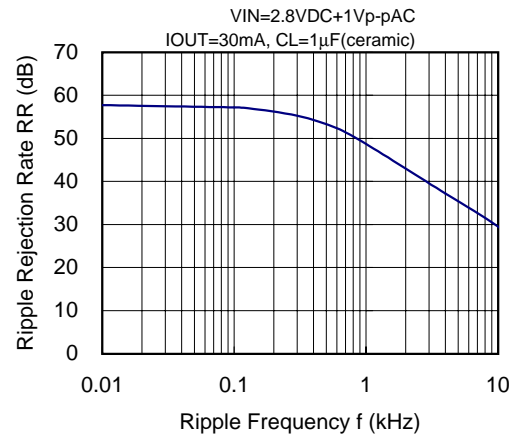
■ XC6202

(11) Ripple Rejection Rate

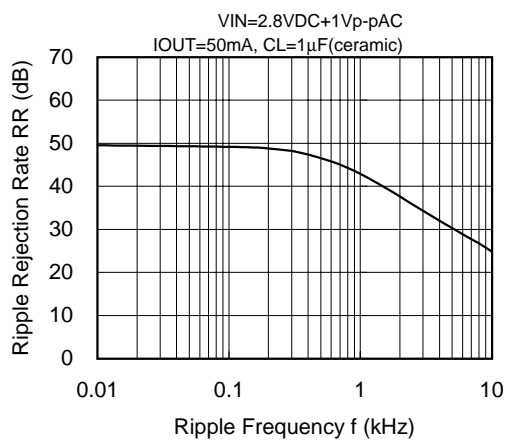
XC6202P182(1.8V)



XC6202P182(1.8V)

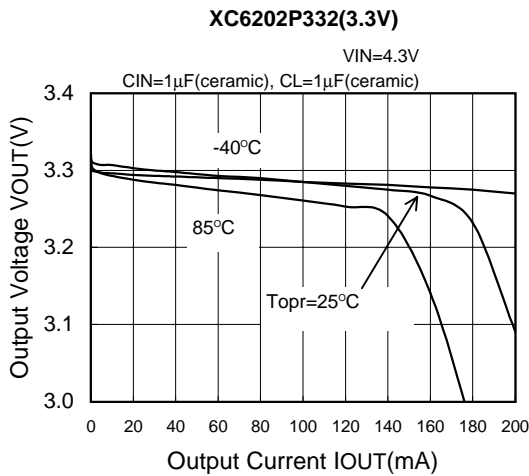


XC6202P182(1.8V)

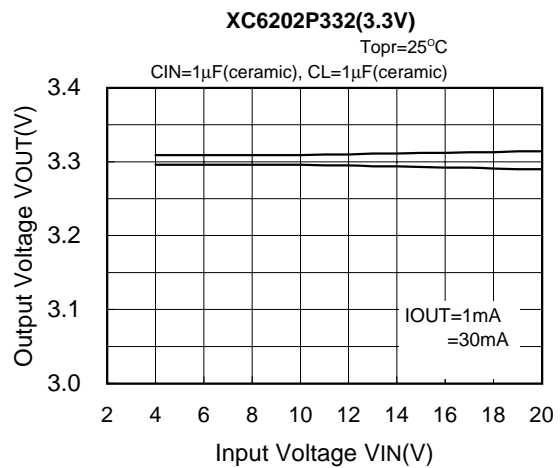
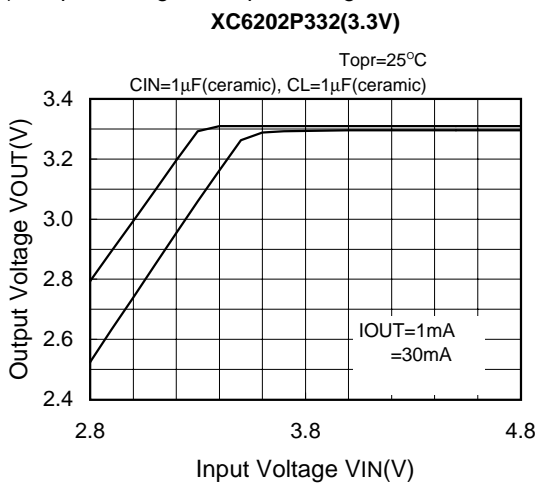


■ XC6202

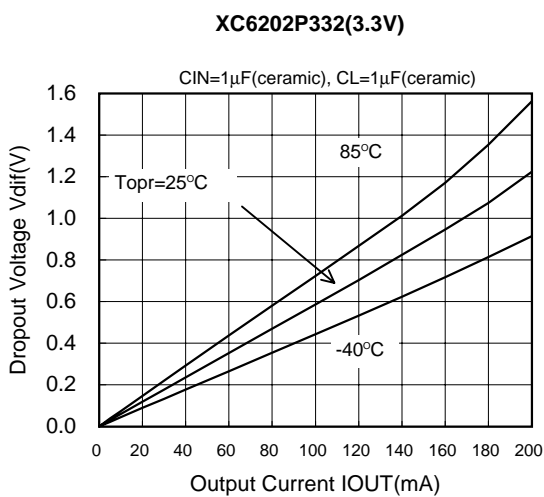
(1) Output Voltage vs. Output Current



(2) Output Voltage vs. Input Voltage



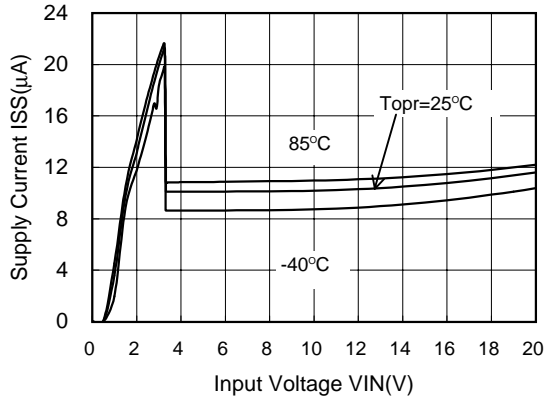
(3) Dropout Voltage vs. Output Current



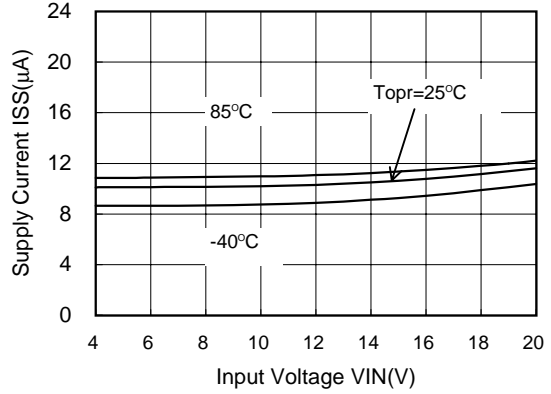
■ XC6202

(4) Supply Current vs. Input Voltage

XC6202P332(3.3V)

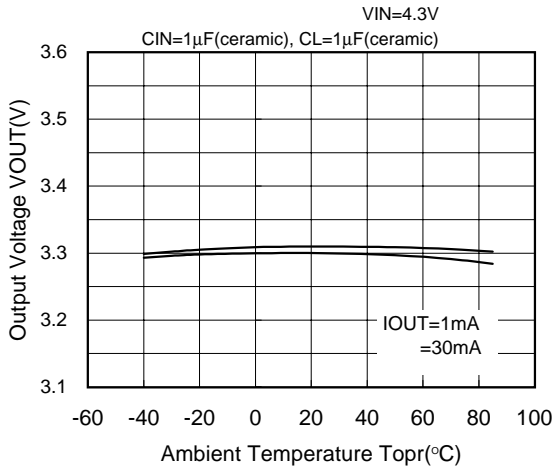


XC6202P332(3.3V)



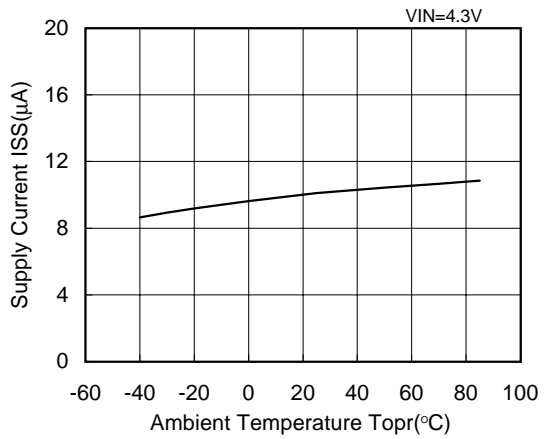
(5) Output Voltage vs. Ambient Temperature

XC6202P332(3.3V)



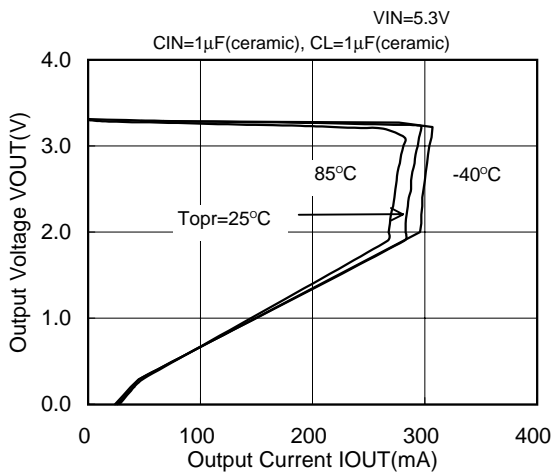
(6) Supply Current vs. Ambient Temperature

XC6202P332(3.3V)



(7) Current Limiter Circuit

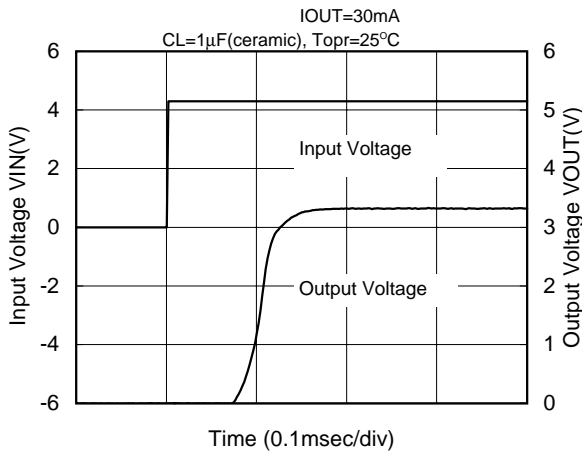
XC6202P332(3.3V)



■ XC6202

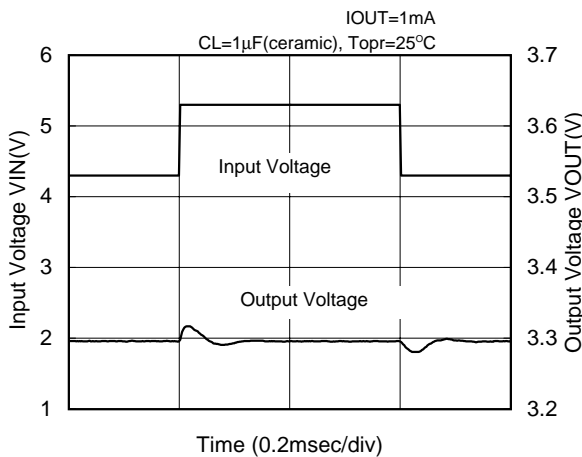
(8) Input Transient Response 1

XC6202P332(3.3V)

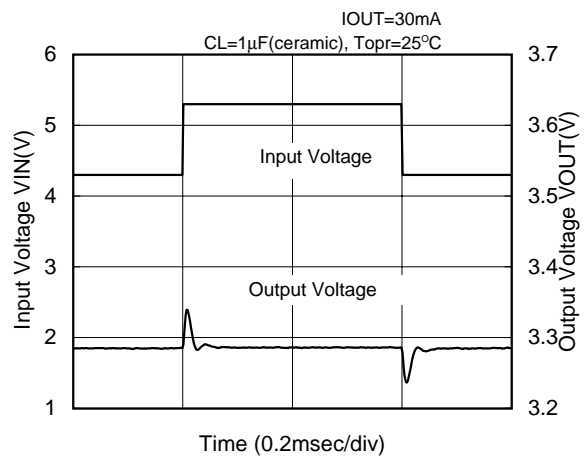


(9) Input Transient Response 2

XC6202P332(3.3V)

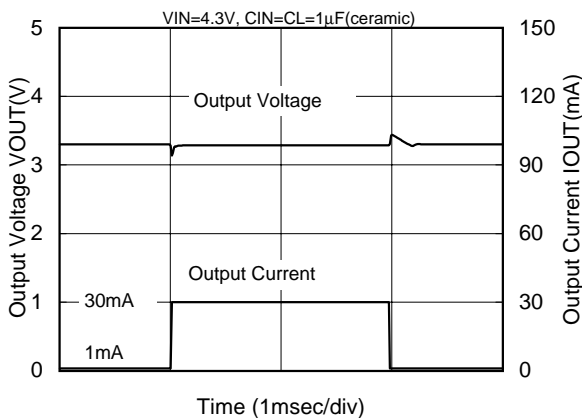


XC6202P332(3.3V)



(10) Load Transient Response

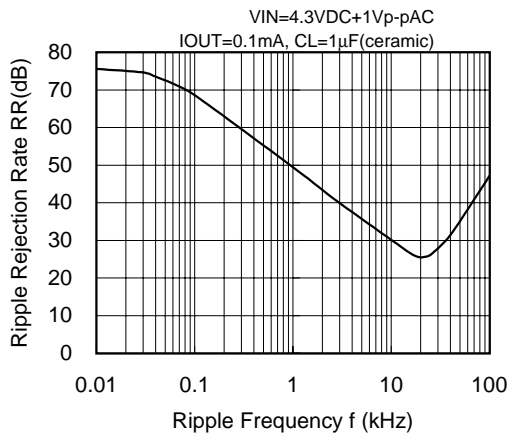
XC6202P332(3.3V)



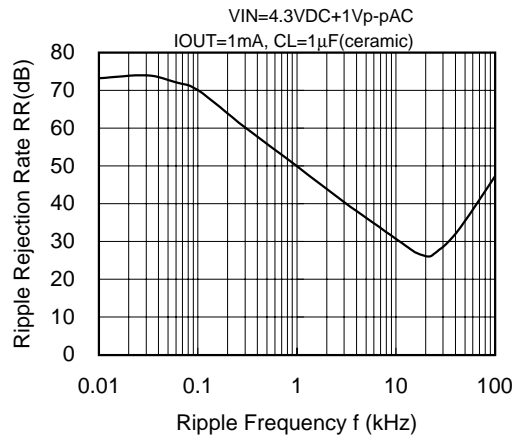
■ XC6202

(11) Ripple Rejection Rate

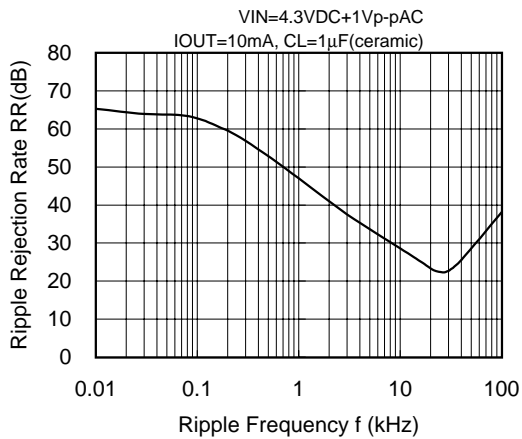
XC6202P332(3.3V)



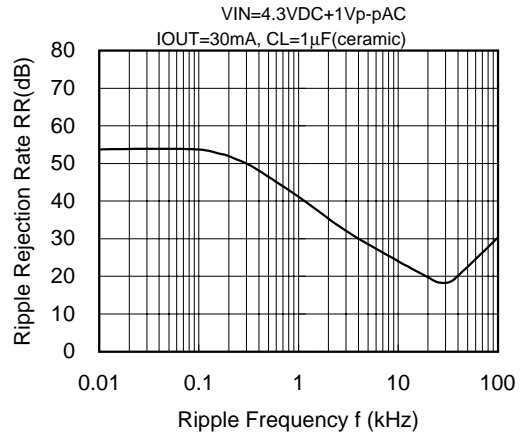
XC6202P332(3.3V)



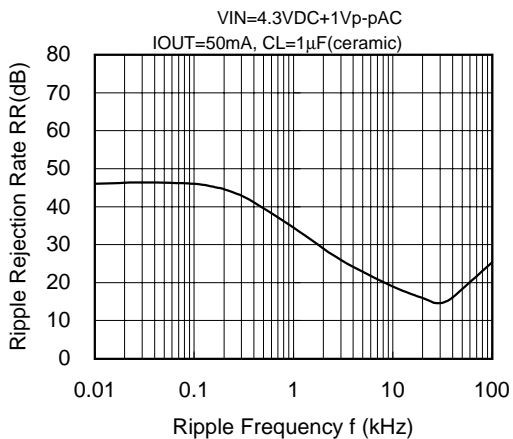
XC6202P332(3.3V)



XC6202P332(3.3V)



XC6202P332(3.3V)

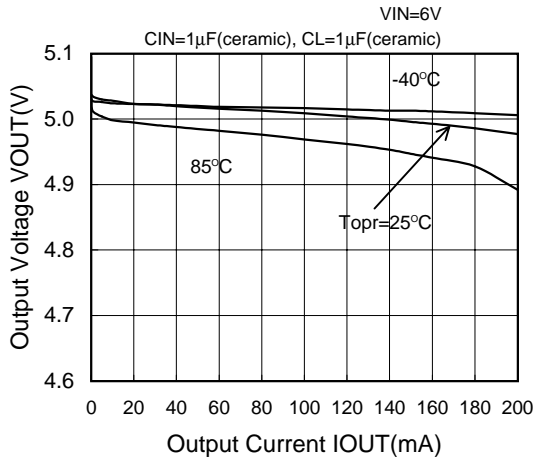


Preliminary

■ XC6202P502

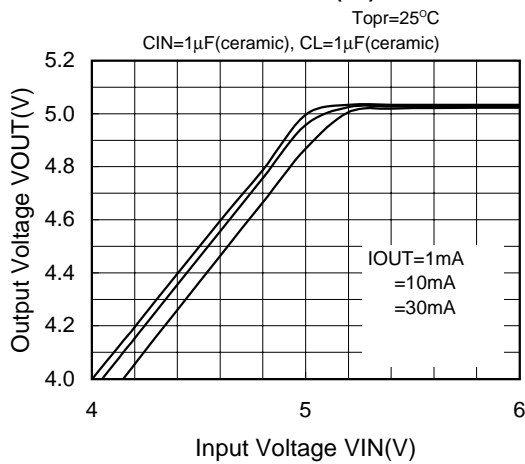
(1) Output Voltage vs. Output Current

XC6202P502 (5V)

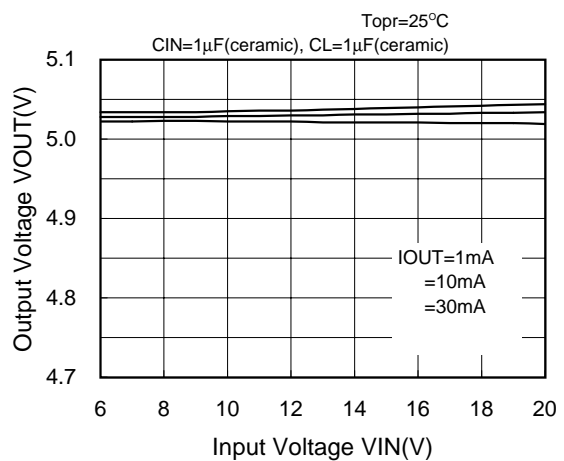


(2) Output Voltage vs. Input Voltage

XC6202P502 (5V)

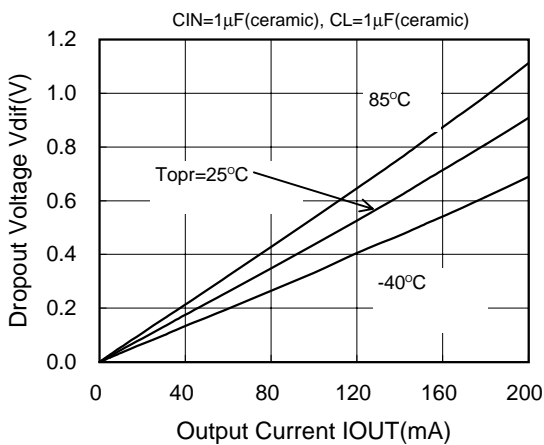


XC6202P502 (5V)



(3) Dropout Voltage vs. Output Current

XC6202P502 (5V)

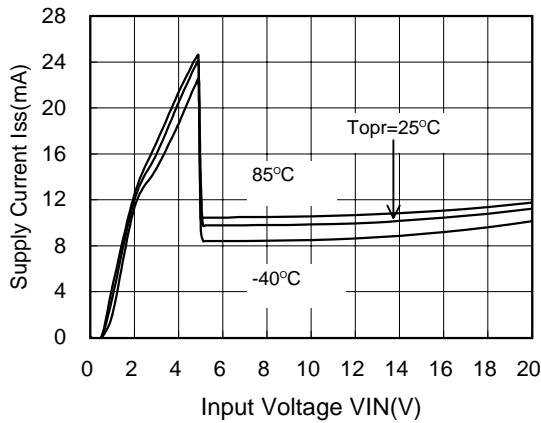


Preliminary

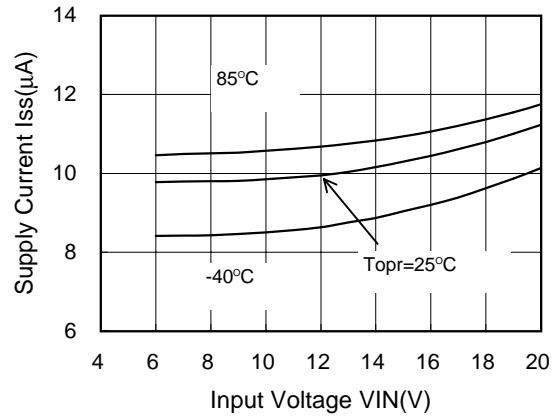
■ XC6202P502

(4) Supply Current vs. Input Voltage

XC6202P502 (5V)

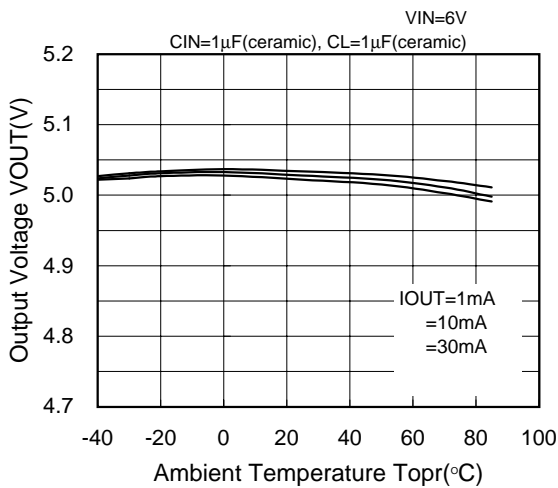


XC6202P502 (5V)



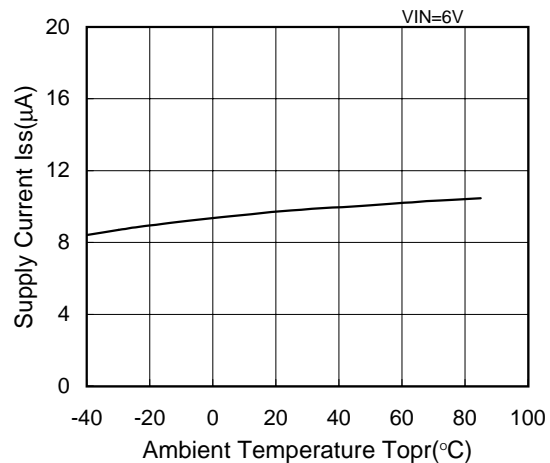
(5) Output Voltage vs. Ambient Temperature

XC6202P502 (5V)



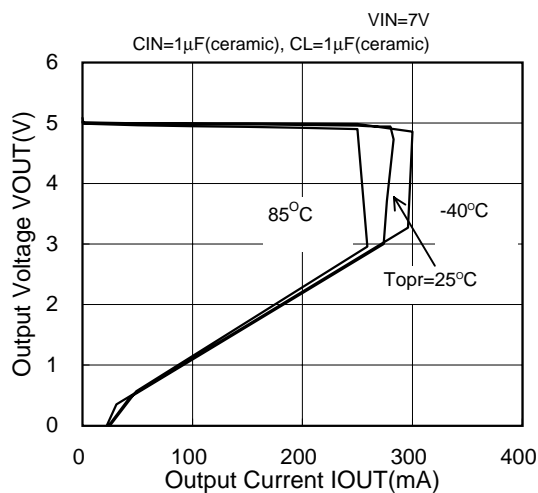
(6) Supply Current vs. Ambient Temperature

XC6202P502 (5V)



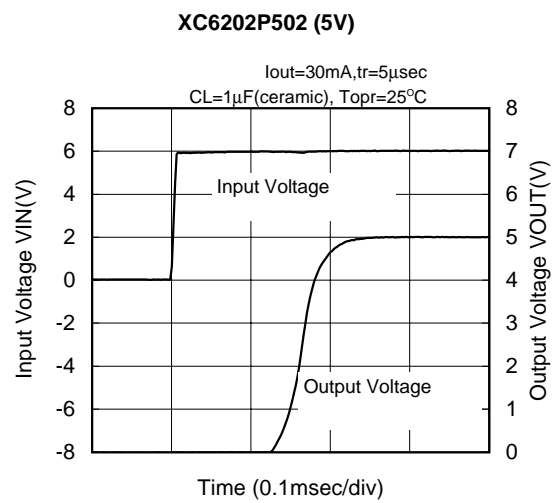
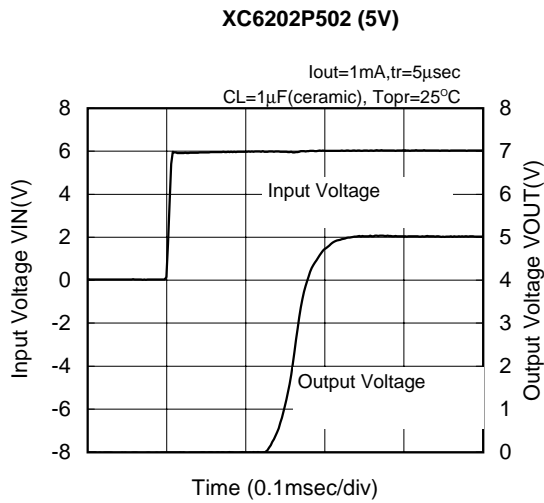
(7) Current Limiter Circuit

XC6202P502 (5V)

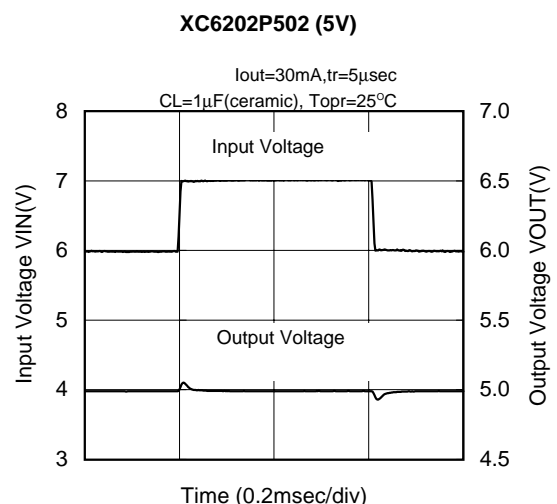
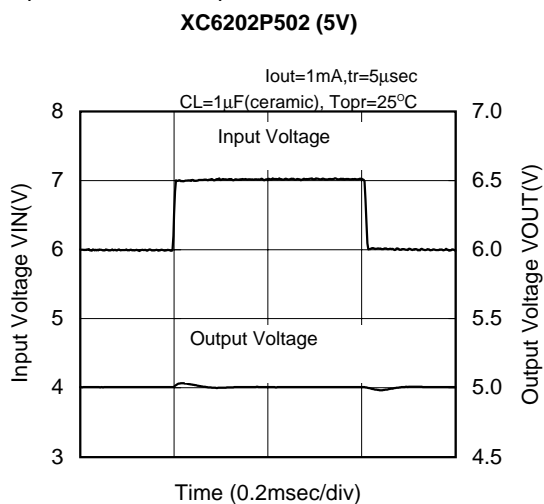


■ XC6202P502

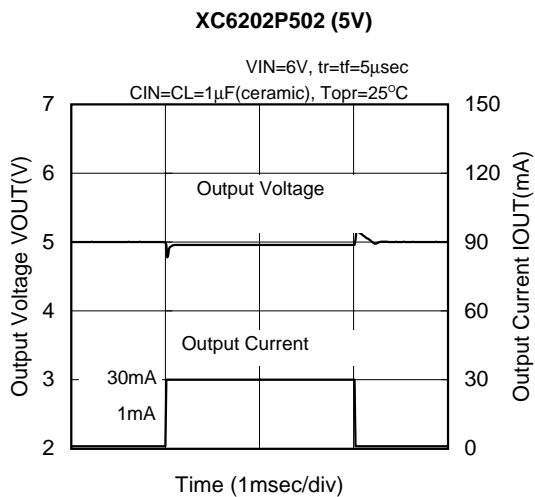
(8) Input Transient Response 1



(9) Input Transient Response 2

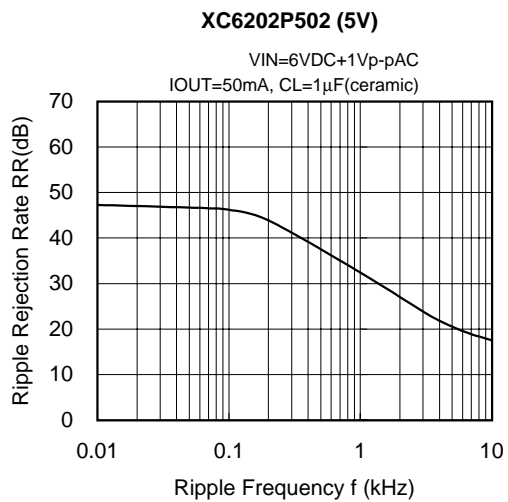
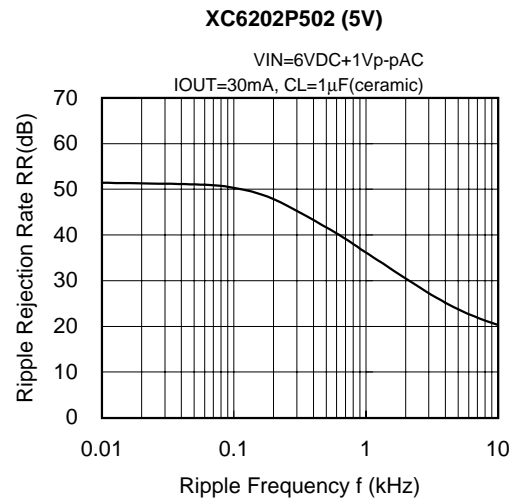
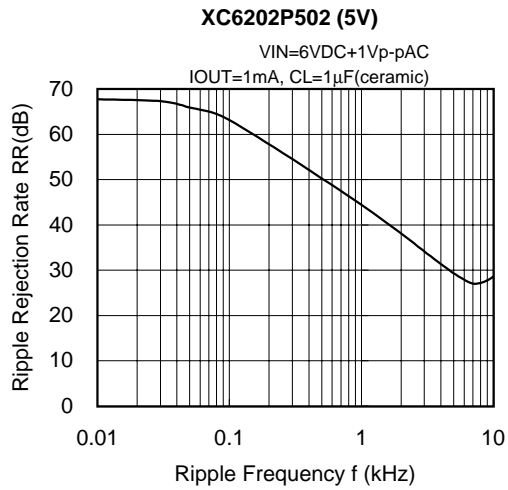


(10) Load Transient Response



■ XC6202P502

(11) Ripple Rejection Rate

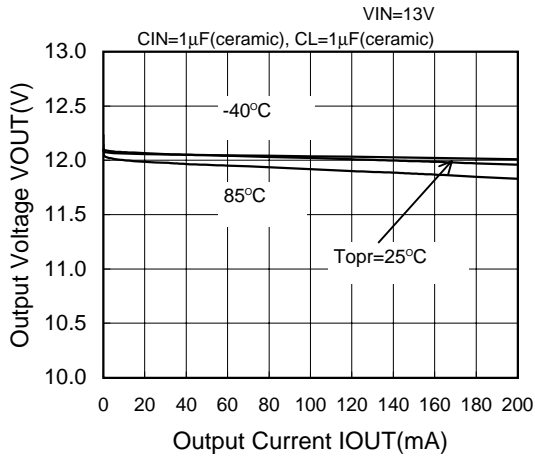


Preliminary

■ XC6202PC02

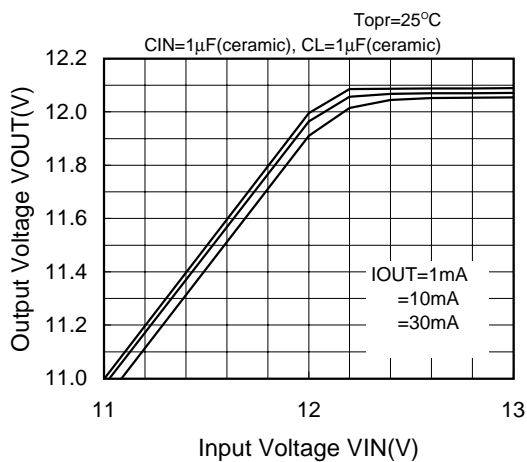
(1) Output Voltage vs. Output Current

XC6202PC02 (12V)

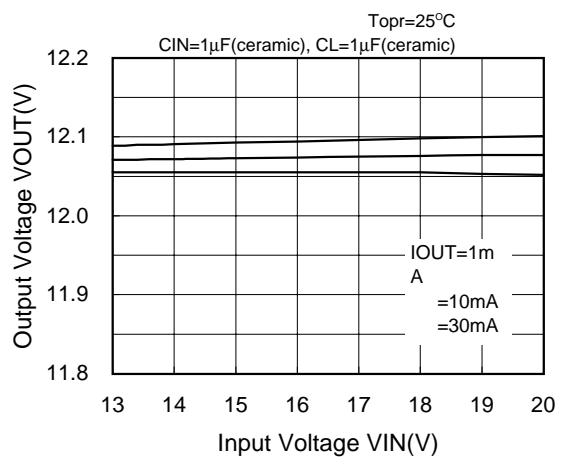


(2) Output Voltage vs. Input Voltage

XC6202PC02 (12V)

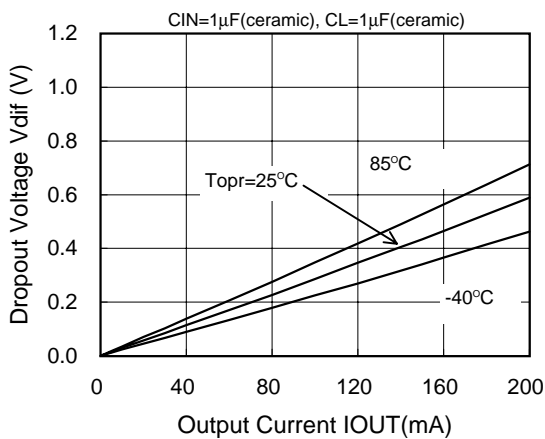


XC6202PC02 (12V)



(3) Dropout Voltage vs. Output Current

XC6202PC02 (12V)

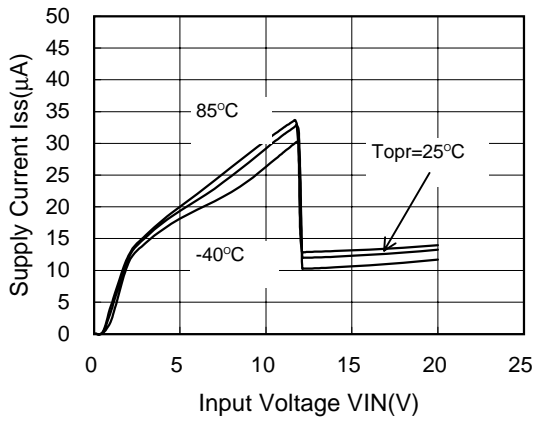


Preliminary

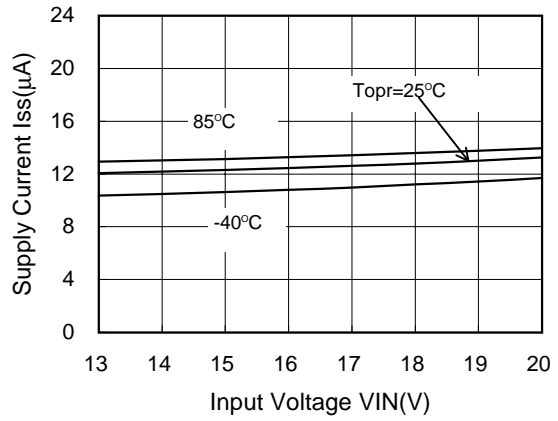
■ XC6202PC02

(4) Supply Current vs. Input Voltage

XC6202PC02 (12V)

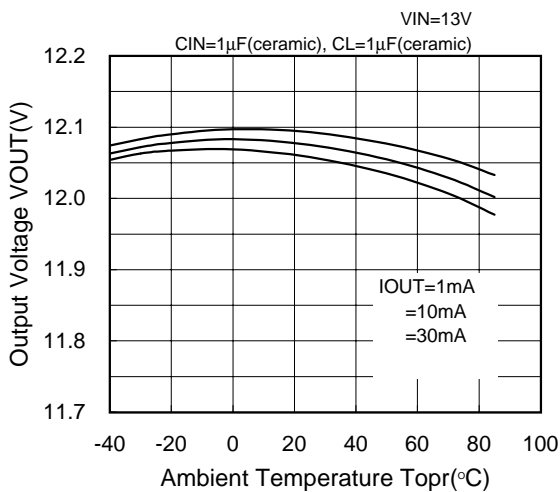


XC6202PC02 (12V)



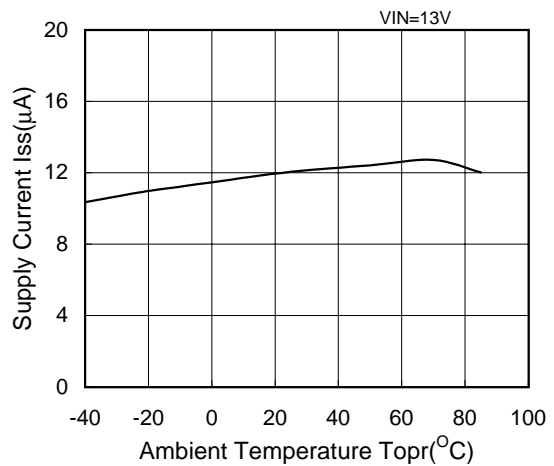
(5) Output Voltage vs. Ambient Temperature

XC6202PC02 (12V)



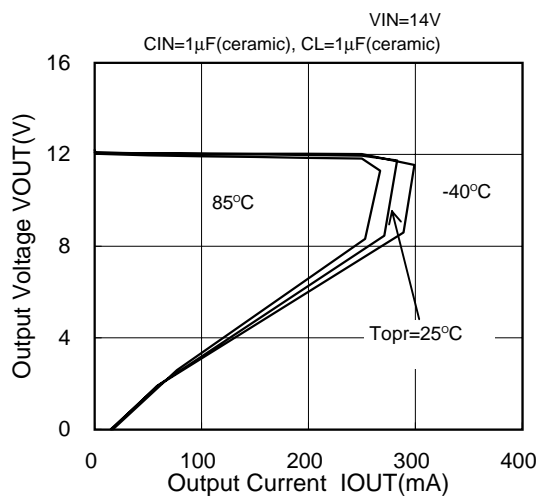
(6) Supply Current vs. Ambient Temperature

XC6202PC02 (12V)



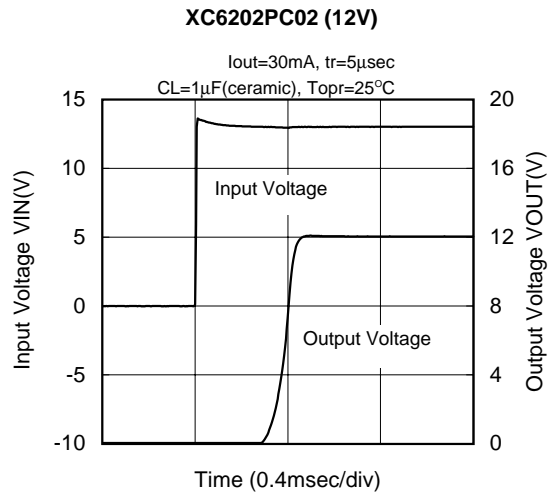
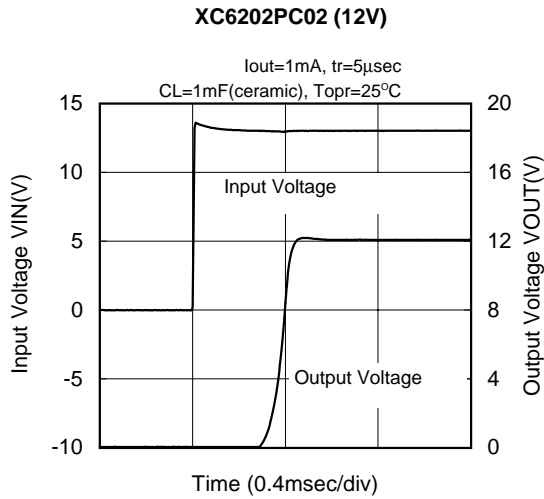
(7) Current Limiter Circuit

XC6202PC02 (12V)

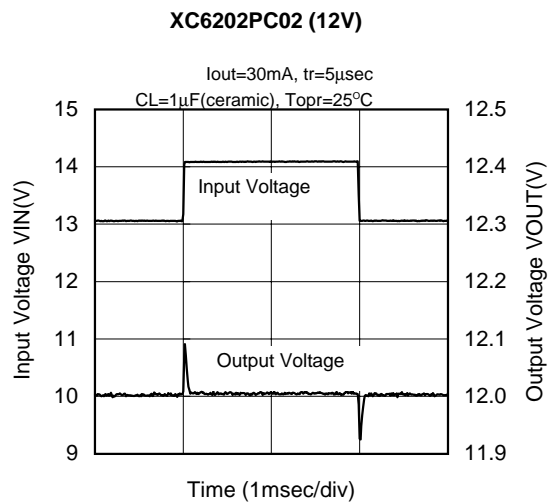
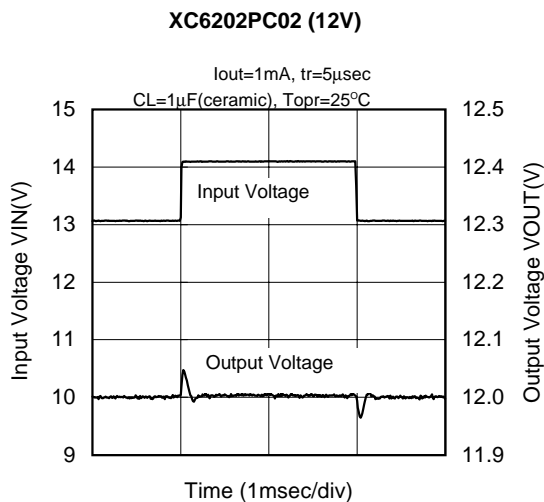


■ XC6202PC02

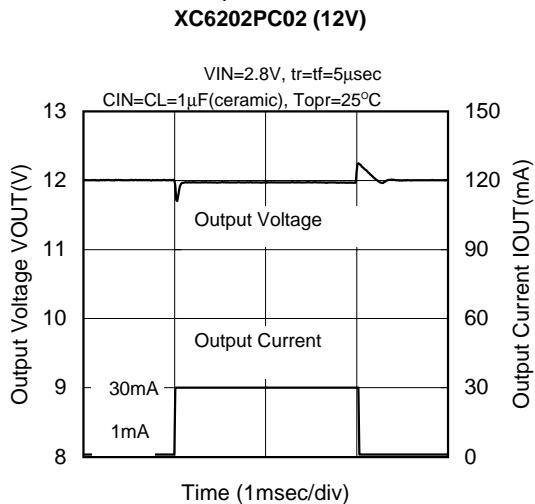
(8) Input Transient Response 1



(9) Input Transient Response 2



(10) Load Transient Response

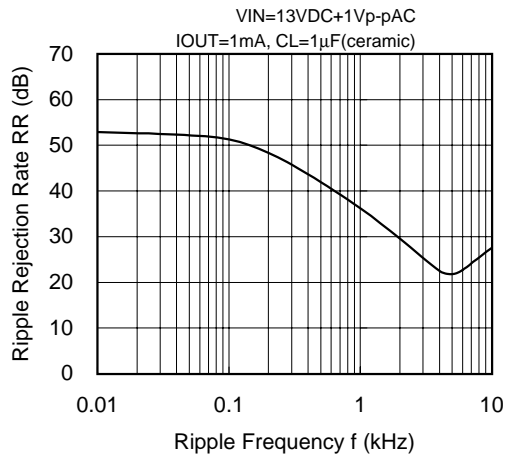


Preliminary

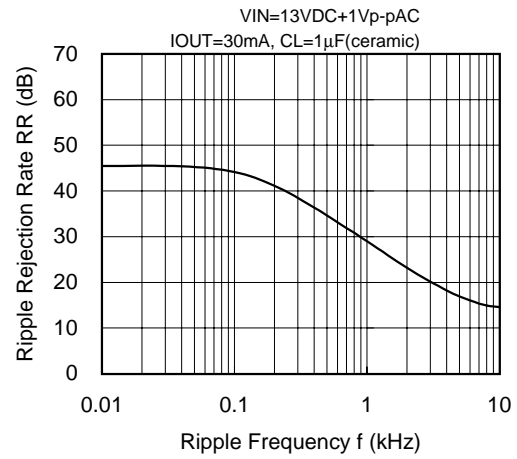
■ XC6202PC02

(11) Ripple Rejection Rate

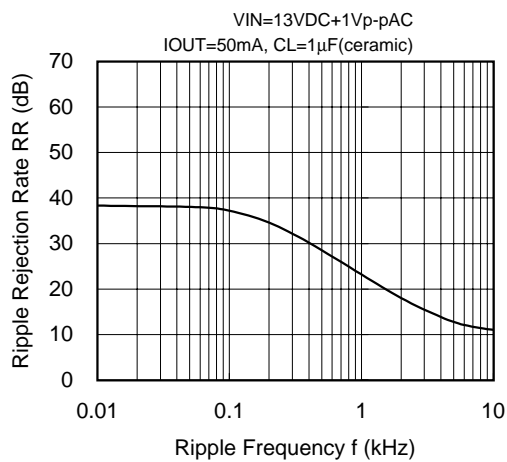
XC6202PC02 (12V)



XC6202PC02 (12V)



XC6202PC02 (12V)

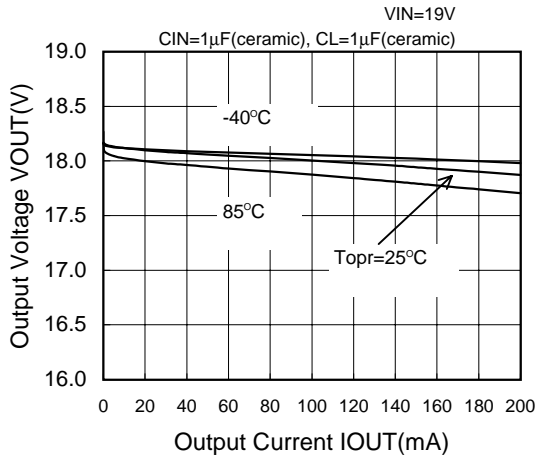


Preliminary

■ XC6202PJ02

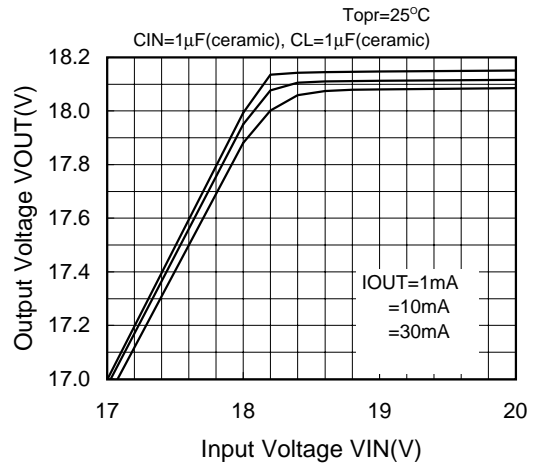
(1) Output Voltage vs. Output Current

XC6202JC02 (18V)



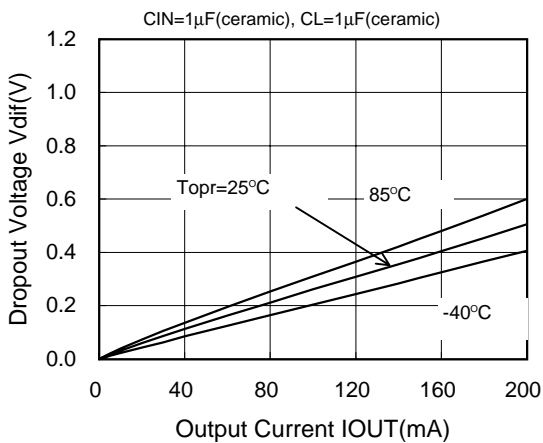
(2) Output Voltage vs. Input Voltage

XC6202JC02 (18V)



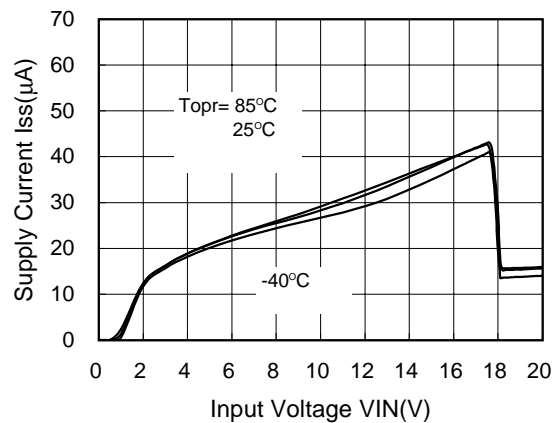
(3) Dropout Voltage vs. Output Current

XC6202JC02 (18V)



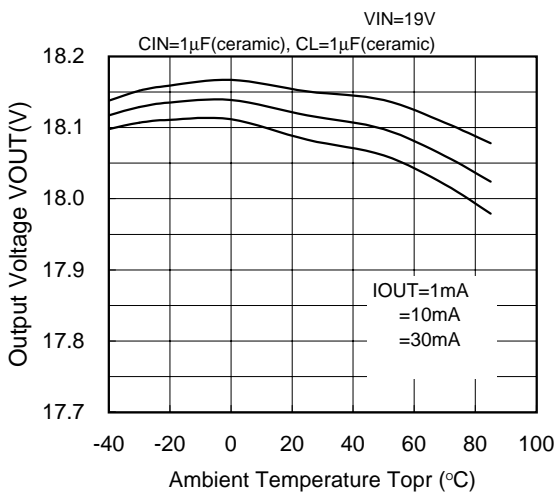
(4) Supply Current vs. Input Voltage V_{IN} (V)

XC6202JC02 (18V)



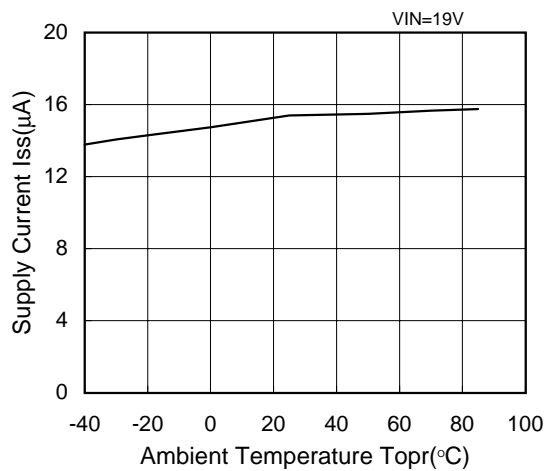
(5) Output Voltage vs. Ambient Temperature

XC6202JC02 (18V)



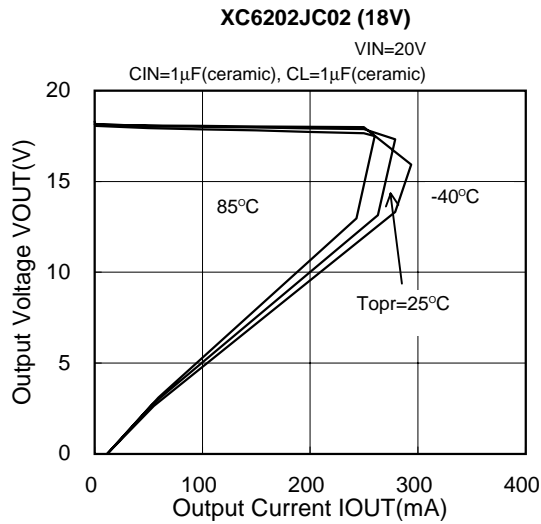
(6) Supply Current vs. Ambient Temperature

XC6202JC02 (18V)

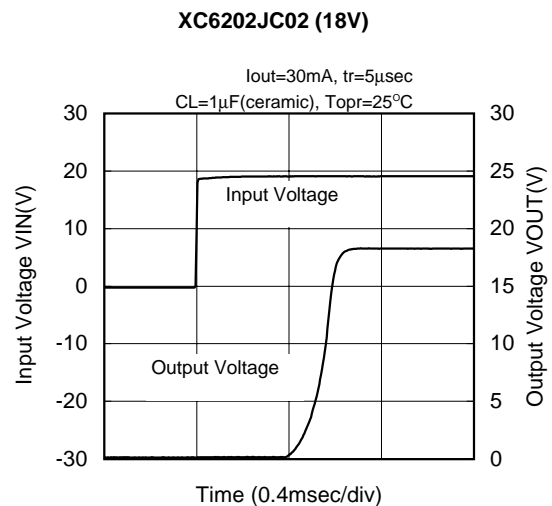
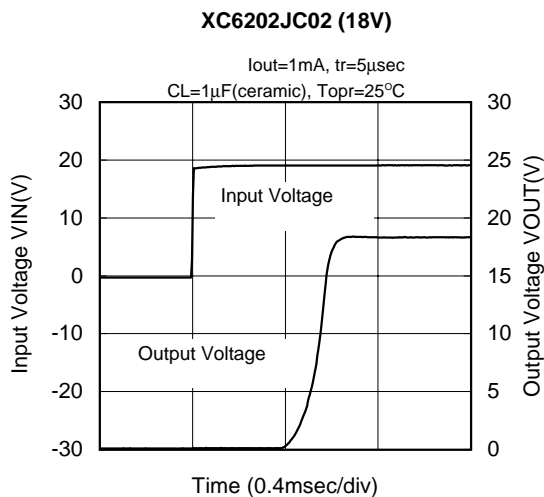


■ XC6202PJ02

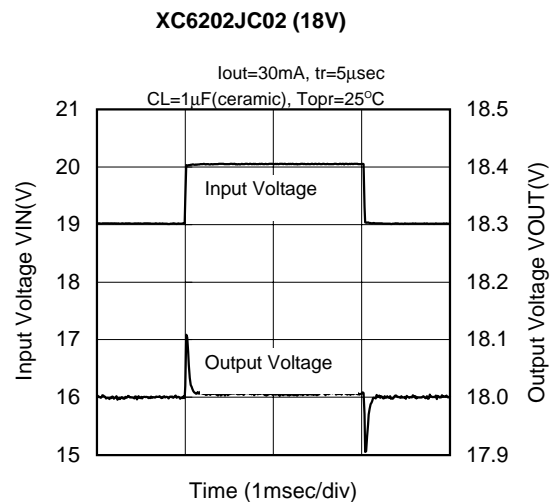
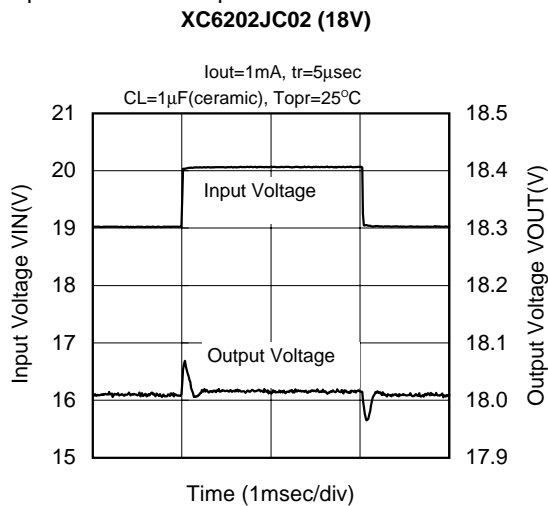
(7) Current Limiter Circuit



(8) Input Transient Response 1



(9) Input Transient Response 2

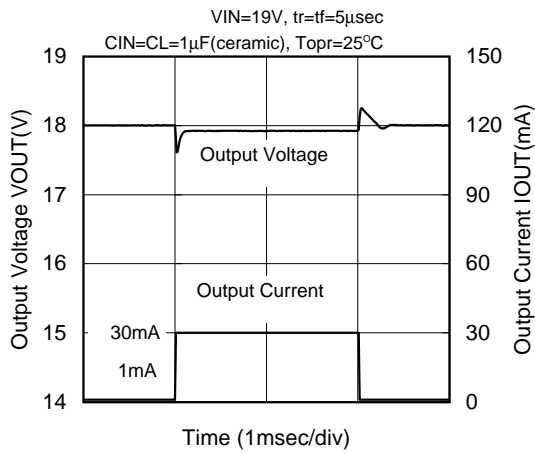


Preliminary

■ XC6202PJ02

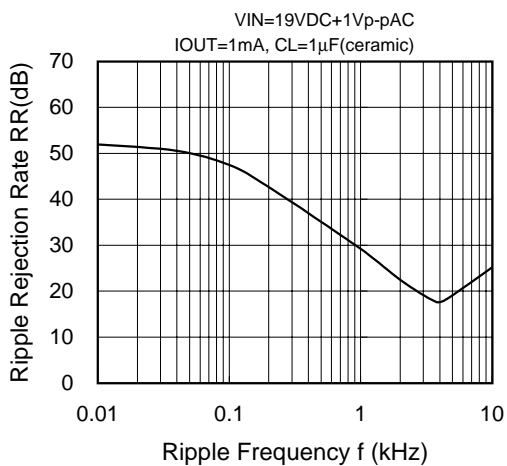
(10) Load Transient Response

XC6202JC02 (18V)

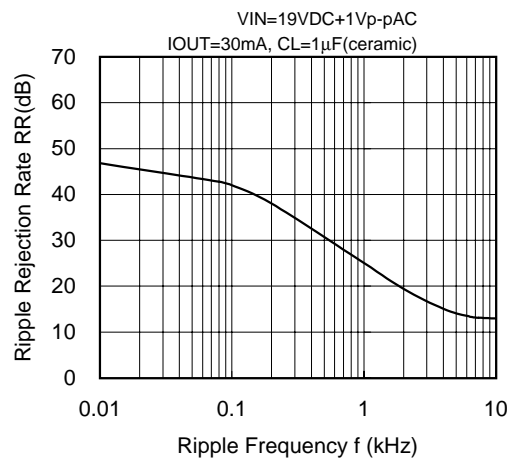


(11) Ripple Rejection Rate

XC6202JC02 (18V)



XC6202JC02 (18V)



XC6202JC02 (18V)

